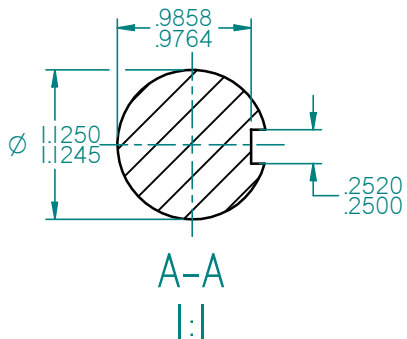
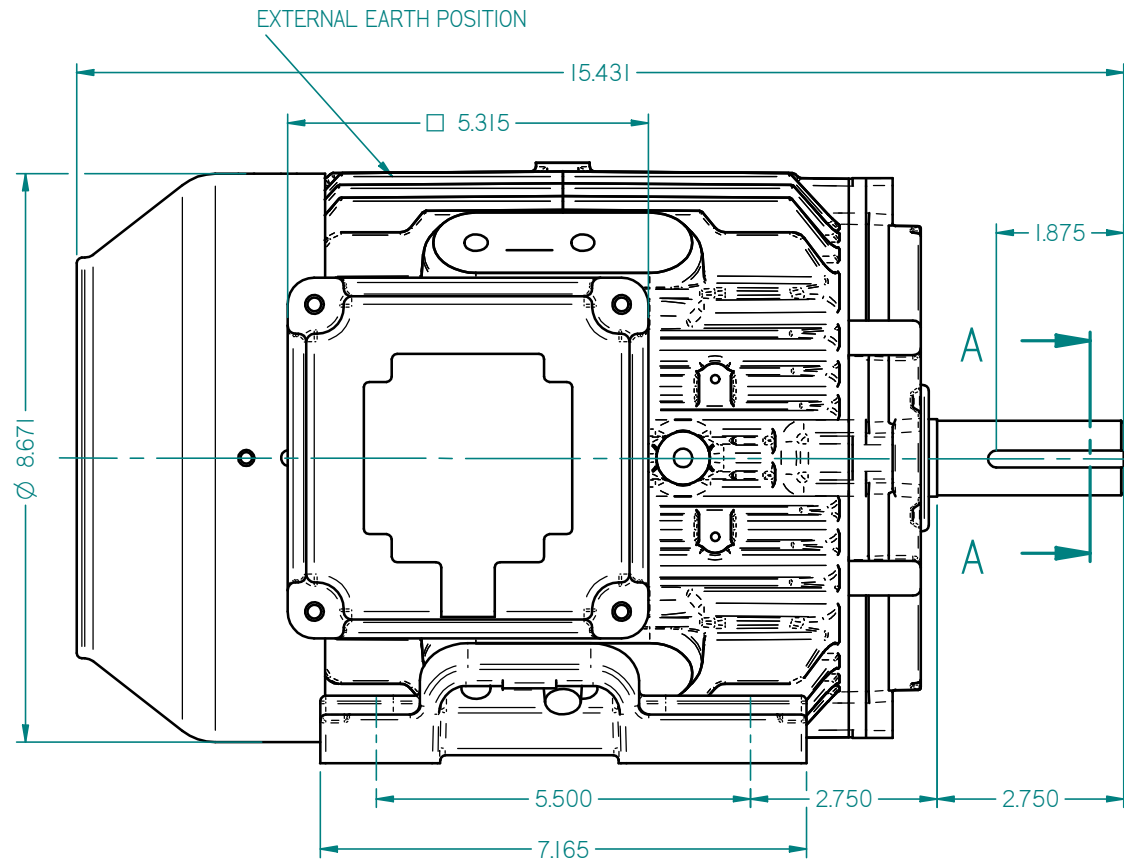


CABLE ENTRIES 1X0.75" NPT



STANDARD TERMINAL BOX POSITION IS 9 O'CLOCK AS SHOWN.  
 CONDUIT ENTRIES:- TERMINAL BOX CAN BE ROTATED AT 90° INTERVALS  
 (CONDUIT ENTRY POSITION SHOWN FOR ILLUSTRATION ONLY)

ALL DIMENSIONS IN INCHES



FIRST ANGLE  
 PROJECTION

**BROOK  
 CROMPTON**

SHEET  
 SIZE

A3

TITLE:

OUTLINE DIMENSION DRAWING W CAST IRON TOTALLY ENCLOSED FAN COOLED  
 WP-DF182T-M4 4P FRAME FOOT MOUNTED MOTOR

	NAME	DATE
DRAWN	DL	26-11-12
CHECKED		
SCALE	1 : 2	

DRG. No.	
DRG. REF.	
REVISION:	DATE: